

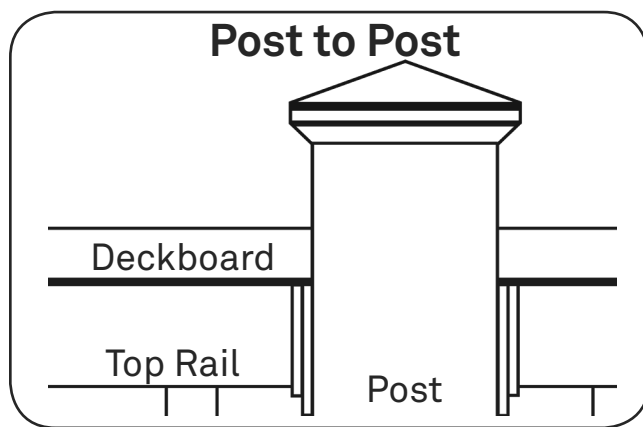
# Deck Board Railing Installation

We are proud to provide the highest quality vinyl fencing and railing available and are fully committed to providing you with superior service from the very first time we work together to long after we've delivered your product. This guide is designed the walk you through the installation of your new deck board railing.

Below are supplemental installation instructions for Deck Board Railing. Please read the Premium Straight and Stair Installation guides before installing.

**Please note the deck board is not included. You'll want to match to your existing deck board.**

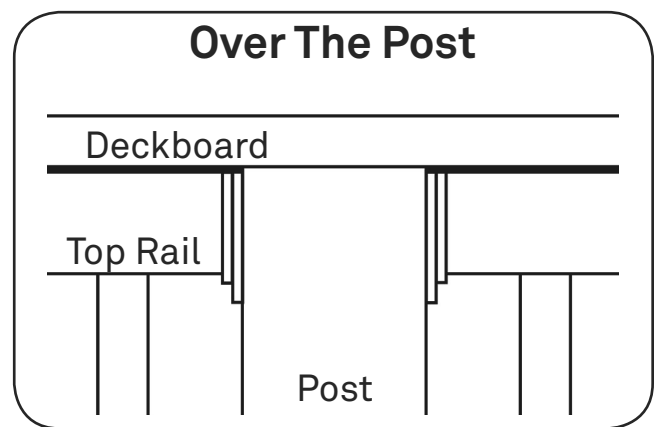
## 1. CHOOSE YOUR INSTALLATION METHOD



### Post to Post

- Step 1** Install all of your railing sections following the directions provided in the Premium Straight Railing Installation Guide.

**NOTE:** Be sure to leave at least 3" from the top of the top rail to the top of the post, to ensure the deck board and the post cap fit correctly.



### Over The Post

- Step 1** Follow the Premium Straight Railing Installation Guide through Section 4 Step 6.

- Step 2** The 2" x 3.5" bracket covers are 2 pieces - the longer piece is the top and is marked "2" x 3.5" Top". Put the top cover only on top of the rail and hold at correct elevation - next make a pencil mark on the post, from the top of the cover to get the elevation to cut the post.

- Step 3** Now it is time to cut the post at the pencil line.

- Step 4** Go to step number 7 in the Premium Straight Railing Installation Guide.

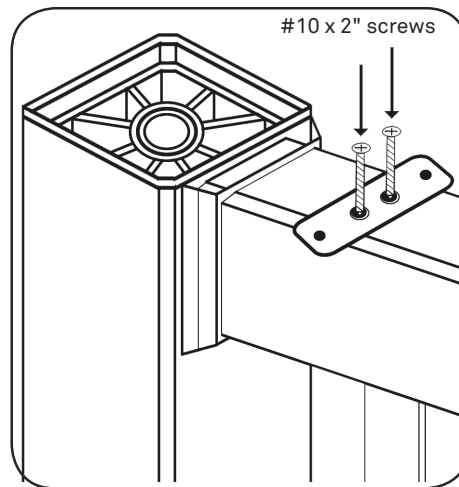
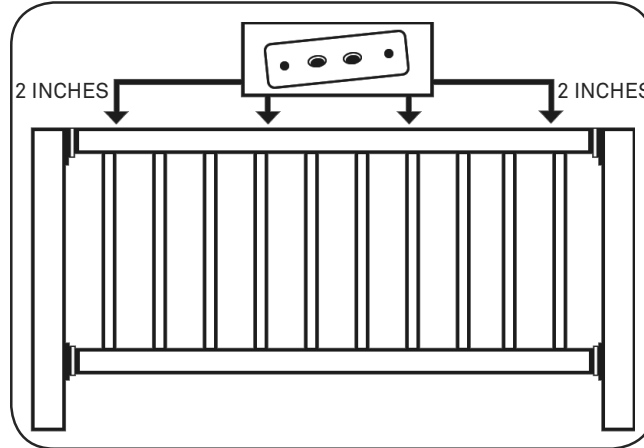
**NOTE:** Deck board top rails should be installed after all railing is installed.

# Deck Board Railing Installation

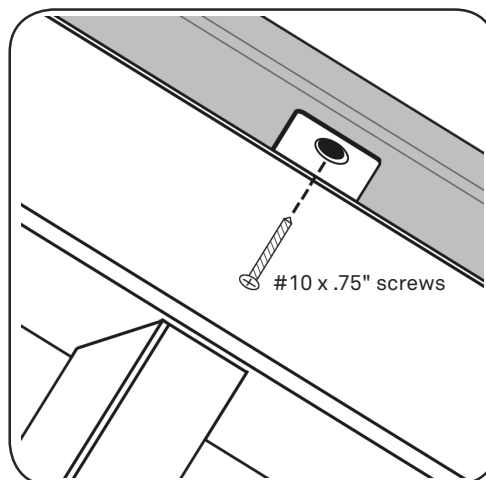
## 2. INSTALLING THE DECK CLIPS

Now that your railing is installed, it's time to install the deck board clips.

Install 2 of the deck clips about 2" from each post by placing a screw in each of the 2 middle holes on the deck clip. Then install the other 2 deck clips equal distances apart.



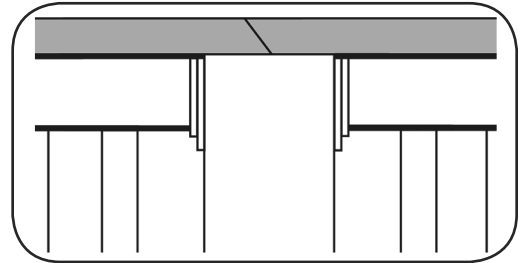
Insert a screw up through each of the 2 outer holes on the deck board clip securing the deck board into place.



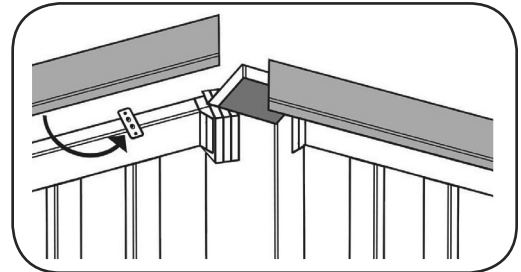
# Deck Board Railing Installation

## 3. JOINTS

**Step 1** Use the 22.5° scarf joints when connecting deck rails together.

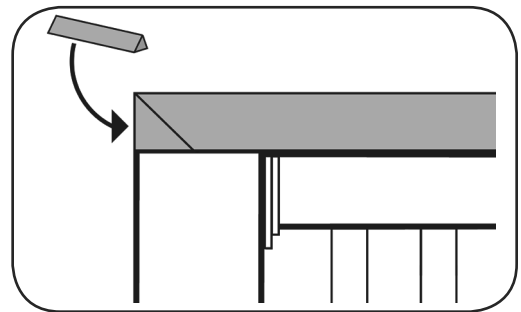


**Step 2** Use miter joints at corners.



**Step 3** If the Deck Board end of run is not visible, it can be left exposed. If it is visible, terminate the run with a short mitered piece. We recommend the short piece be fastened with glue and a trim head screw, but make sure you pre-drill the cap rail to prevent splitting.

**NOTE:** Joints should be sealed with caulk or glue per deck board manufacturer's specifications.



## 4. ANGLES

### 45° Degree Adapter

1. The 45° adapter is used in conjunction with the existing straight brackets (height is the same).
2. We recommend dry fitting with the adapters to set the elevation. Then follow the Premium Straight Railing Installation Guide.

### Field Cut Angle Bracket

The maximum cut angle for the 4" x 4" posts can be cut no greater than 22°.

**NOTE:** Use miter joints at corners; joints should be sealed with caulk or glue per deck manufacturer's specifications if installing using the "Over the Post" method.

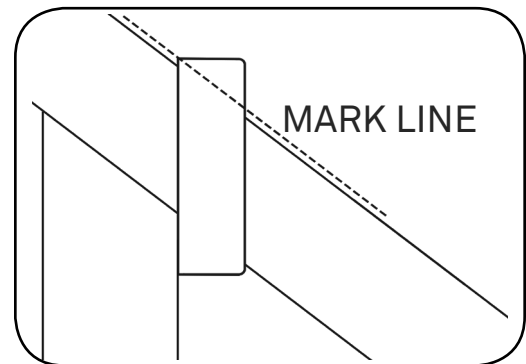
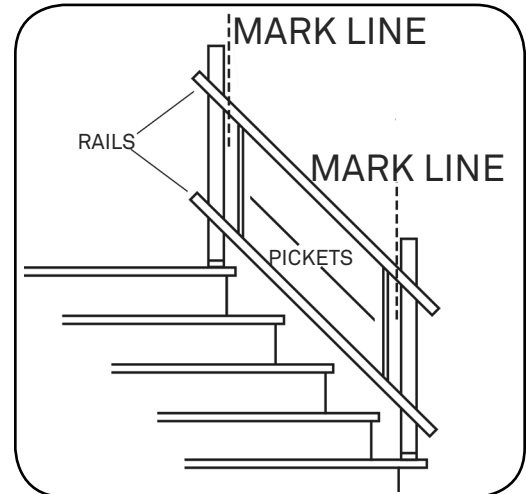
# Deck Board Railing Installation

## Stairs

Below are supplemental installation instructions for Weatherables Deck Board Railing.

- Step 1** Follow the Premium Stair Railing Installation Guide through Section 1 Step 4.
- Step 2** The top rail stair brackets have covers that need to be cut at the correct angle. The brackets can handle angles of 30° to 40°.
- Step 3** The covers for the top rail are marked "Upper Cover" and "Lower Cover". The upper cover is for the top of the stairs and the lower is for the bottom of the stairs.
- Step 4** Slide the upper cover onto the upper portion of the top rail and the lower cover onto the lower portion of the top rail.
- Step 5** Picking up at Step 5 of Section 1 of the Premium Stair Railing Installation Guide, follow the instructions until you reach step 8. On step 8, hold the covers so that the bottom of the cover is touching the bottom of the top rail. Mark the angle with a pencil on the top of the cover, repeat on the lower cover.

**NOTE:** Be sure to leave at least 3" from the top of the top rail to the top of the post, to ensure the deck board and the post cap fit correctly.



## Field Cut Angle Bracket for Stairs

If you have an angle outside of 30° to 40°, use the Field Cut Angle Bracket.

1. Follow the Premium Stair Railing Installation Guide through Section 1 Step 7 (marking the rails), then use a speed square and line up the pencil mark on the rail to get the correct angle. Next, cut the field cut bracket at the correct angle.

**IMPORTANT TIP:** Make sure the first picket is less than 4" from the post.