

**Aluminum Railing**

**Installation Guide**

# Aluminum Railing Assembly

## The best choice for strong & durable railing.

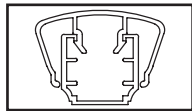
Our aluminum railing provides strength, durability and is maintenance free. It meets all nationwide (IRC/IBC) building codes. Ideal for the do-it-yourself or a professional installer, it is simple to install and does not require any special tools. Made to last a lifetime, our premium aluminum railing is manufactured with the best American made materials on the market. This guide is intended to help make your installation easy.

## BEFORE YOU BEGIN INSTALLATION:

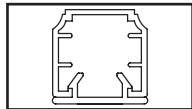
- Consult your local building code official and check all Code Requirements.
  - Read all instructions thoroughly prior to assembly to ensure correct installation.
- THE MANUFACTURER WILL NOT BE HELD RESPONSIBLE FOR UNSAFE OR INCORRECT INSTALLATION.
- These instructions are guidelines and do not cover every installation scenario.
  - Always use the fasteners provided in the railing kit. DO NOT swap any hardware.
  - This railing kit has been tested by ATI and meets the IRC and IBC construction code standards. Additional testing information is available upon request.
  - Always follow all safety regulations when installing the railing section and always wear safety glasses.
  - Purchaser has the sole responsibility to determine whether the aluminum railing and aluminum post products comply with the applicable codes and are appropriate for the intended use. The purchaser and installer should review the intended use of the products and the structural integrity of the deck, concrete pad, or patio for installing the posts with a licensed professional engineer.

## HARDWARE & PROFILES

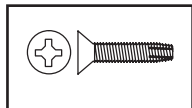
Top Rail



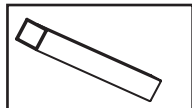
Bottom Rail



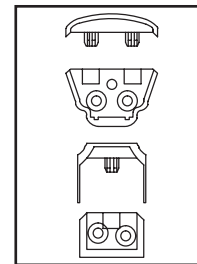
# 14 Type F self-threading screws



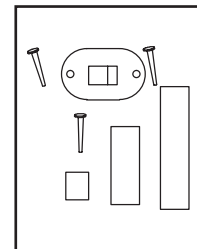
3/4" Square Balusters



Top and bottom  
2-piece drop-in brackets



Foot block kit



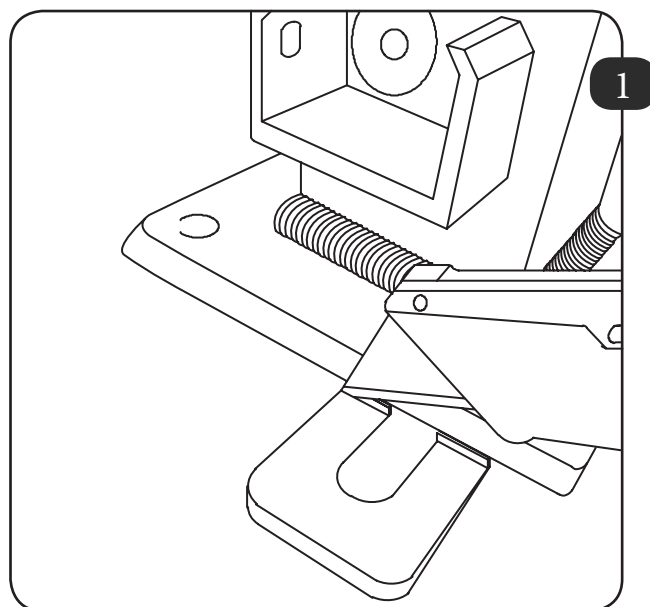
# Aluminum Railing Assembly

## Tools

1. Cordless Drill/Impact Driver
2. 13/64" Drill Bit
3. #3 Phillips Screwdriver Bit
4. Speed Square
5. 2' Level
6. Tape Measure
7. Miter saw or portable band saw
8. Rubber Mallet
9. Post level (optional)

## Section 1: Installing the Posts

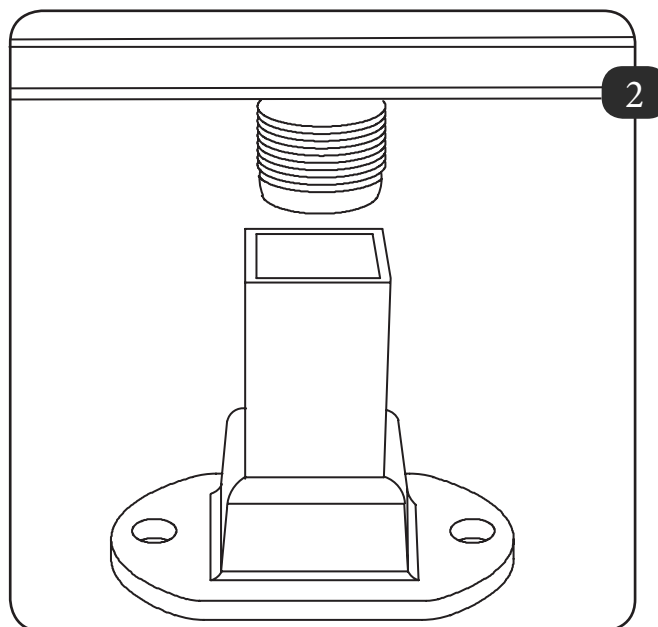
1. Lay out and mark where the posts will be installed on the deck surface. Assure that the 5"x5" base plate is at least 2" from the edge of the deck to allow for the 2-piece trim.
2. If installing on a deck (wood, composite), ensure that the posts will attach to the substructure of the deck or patio. The decking may need to be reinforced with support lumber (backer board such as a 2"x10" or 2"x12" treated lumber cut to fit tightly between the joists and installed flat under the decking). Use appropriate structural weatherproof fasteners (not included) for your application.
3. If installing on concrete, use the appropriate structural weatherproof concrete anchors for your application.
4. Use the included shims and a level to plumb and square the post.
5. Secure the posts to the deck and slide on the included 2-piece post skirt.



# Aluminum Railing Assembly

## Section 2: Assembling the Panel With the Foot Block

1. Measure the distance between posts.
2. Subtract  $\frac{1}{2}$ " from the total length of the distance to allow for the brackets.
3. If the rails need to be cut, subtract an equal amount from each end of the rail. This will keep the pickets centered in the panel.
4. Measure and mark both the top and bottom rails, assuring that the cut is not in the middle of a picket mount and that the picket mounts line up before cutting the rail.
5. Cut the rails with a fine-tooth miter saw or a portable band saw.
6. Once the rails are cut, insert the pickets onto the bottom rail using the installed picket mounts, then snap the top rail into the pickets, completing the panel.
7. Once the panel is assembled, install the foot block mount in the center of the bottom rail using the 1" self-tapping screw.
8. Determine the distance between the deck or patio and the bottom rail based on local building codes (generally 2"), then carefully cut a foot block piece to match the distance (a pre-cut 2" piece is included, as well as a longer piece for custom installations).
9. Push the foot block onto the picket mount on the bottom rail.



# Aluminum Railing Assembly

## Section 3: Installing the Brackets & Foot Block

1. Mark the post at the desired height of the bottom rail (usually 2") Make sure to account for the 3/8" post flange and the 1/4" bracket when marking the measurement.
2. Align the bottom Bracket with the mark and install the bottom brackets on each post.
3. Set the assembled panel with foot block into the bottom brackets. Mark where the foot block will attach to the deck or patio, as well as where the top brackets will be installed.
4. Take the panel out of the bottom brackets and set aside.
5. Install the foot block base plate into the deck or patio.
6. Install the top brackets based on the marks on the post.
7. Set the assembled panel into the installed brackets and fasten them with the provided screws.
8. Using a small block of wood, snap the bracket covers into place over the top and bottom rails.
9. Place the caps onto the post and tap them tight with a rubber mallet.

